

# Coal Pulveriser. Global Solutions



- Worm Gears
- Gear Units
- Couplings & Freewheels

# Global Coal Pulveriser Solutions

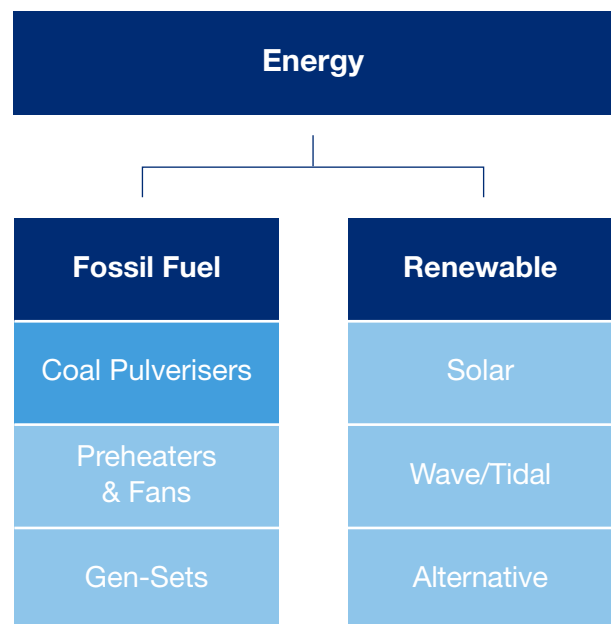
Renold is a global engineering group with over 130 years of experience in the design and manufacture of high-quality power transmission products and application-specific solutions.

Application knowledge and engineering expertise, together with global manufacturing and service, ensures that Renold is your ideal partner – whatever your industry need. It is this unique industry experience gained in demanding global environments that makes the vital difference.

Our skilled engineers work closely with customers to provide a wide range of solutions for critical, real-life applications. Solutions that are proven to stand the test of time – that is why we believe in the principle: ‘Engineering for Life’.

## Renold is focused on servicing 9 key industry sectors

- Energy
- Transportation
- Mining & Quarrying
- Material Handling
- Manufactured Products
- Food & Drink
- Environmental
- Construction Machinery
- Agriculture, Forestry & Fishing



# Fossil Fuel



Unique replication programme provides interchangeable replacements.

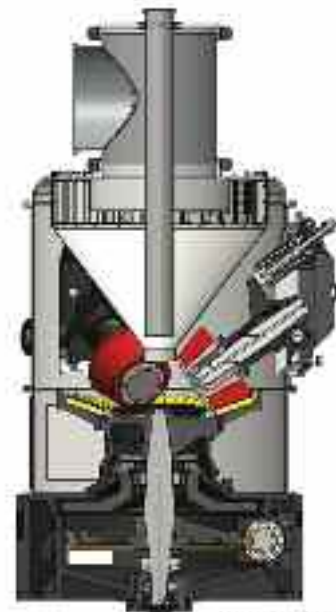


## → Coal Pulverisers

Committed to servicing the power generation industry, Renold provides a complete range of products including gearboxes, chain, couplings, holdbacks and worm gears manufactured to the renowned Renold profile. A unique replication program provides interchangeable replacements for existing CE/Alstom Coal Pulverisers, installed worldwide.

## → Long life

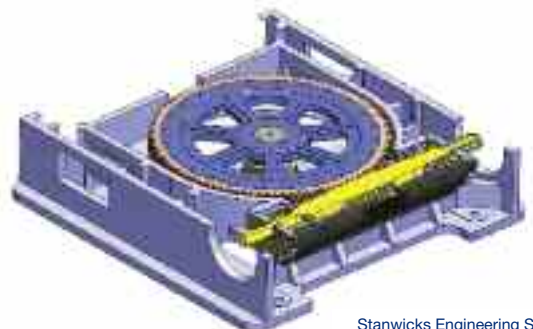
Worm shafts are produced from high-quality alloy steel with the threads case-hardened to produce a uniform, hardened thread flank of 56-60 R/C and precision ground to 32 RMS finish. Gear rims are machined from centrifugally cast tin nickel bronze. The gear teeth are hobbled to a 64 RMS finish and to a predetermined backlash and lead correction for each size of mill, providing an adequate oil entry gap under deflection at full load operation.



Stanwicks Engineering Services LLC

## → Profile replication

Renold has developed an onsite 'profile plug lifting' technique using a two-part epoxy putty to produce a plug from original manufacturer's worm shaft. When hardened, the profile plug measurements are input into Renold profile-generating software to replicate the original profile, allowing the manufacture of a master worm, thread-milling cutter, thread-grinding wheel profile and gear-hobbing tool.



Stanwicks Engineering Services LLC

# Engineering For Life

“ Replacement of the failed part only provides significant cost savings.



## → Availability

The in-house tooling requires only the replacement of the failed part (worm or gear) providing a significant cost saving. As tooling, worm shaft forgings and gear rim blanks are all available for the most common sizes, replacement lead time is considerably reduced.

## → Quality

Our manufacturing facilities are ISO 9001 and ISO 18001 certified with each production worm checked against the master for thread size, profile and backlash before undergoing a contact pattern check from no-load to simulated full load (shift) condition.

## → Associated Products

Renold supplies standard gear units for inclined and horizontal conveyors, together with bespoke designs manufactured to allow drop-in replacement. Renold also offers a wide range of couplings, sprag clutch and trapped roller freewheels for use on a wide range of coal applications.

Replacement Worm Gears for CE Coal Pulverisers

Worm Gear Size Centre Distance	Gear Ratio	Mill Size CE Mill Numbers
54.010"	14 2/7	1003, 983, 963
48.010"	13 3/7	943, 923, 903, 883
	18 3/5	863, 843, 823,
41.010"	17 1/5	803, 783, 763
36.010"	13 5/6	753, 733, 713
	15 1/5	703, 683
	16 1/5	743, 723
30.010"	12 2/5	673
	14 2/5	663, 643
27.010"	10 4/5	633, 613, 593
	13 1/2	623, 603, 583
21.847"	9 2/5	573
	11 3/4	563, 543
	13 3/4	533, 533A
	15	523, 503



**RENOLD**  
Engineering for Life

# Key Industry Sectors

Renold products and services are utilised in a wide range of applications highlighted in the key industry sector brochures, available to download from [www.renold.com](http://www.renold.com)


Transportation, Global Solutions




Powertrain Systems  
Public Transport




Energy, Global Solutions




Power Plant  
Renewables



Manufactured Products, Global Solutions



Metals  
New Metals



Material Handling, Global Solutions



Conveying  
Lifting



Mining & Quarrying, Global Solutions



Material  
Processing



Environmental, Global Solutions



Water Treatment  
Water Management



Agriculture, Forestry & Fishing, Global Solutions



Processing  
Packaging



Food & Drink Processing, Global Solutions



Processing  
Packaging



Construction Machinery, Global Solutions



Excavating  
Dredging





## RENOLD

A global power transmission group serving global markets through an international network.

For your local Renold sales and service location visit [www.renold.com](http://www.renold.com)

For any other enquiries email [tt.sales@renold.com](mailto:tt.sales@renold.com)

**Superior Technology. Global Expertise.**

[www.renold.com](http://www.renold.com)



REN22/BROCP/03.15/E

A Business of Renold Power Transmission Ltd.

**RENOLD**  
*Engineering for Life*